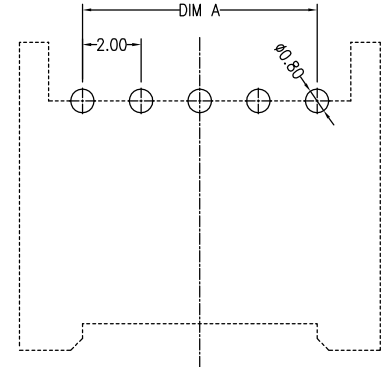
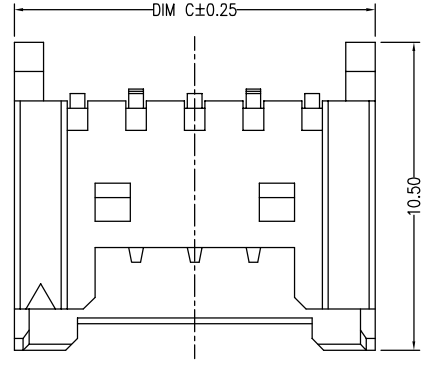
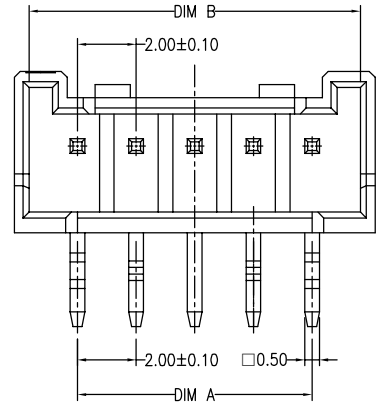
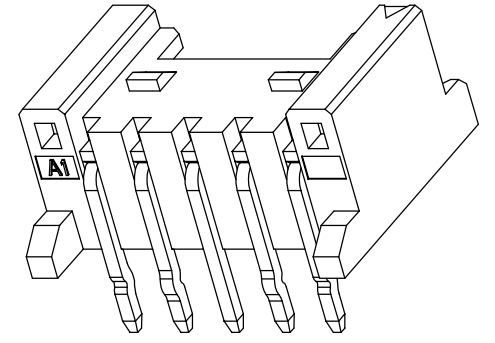
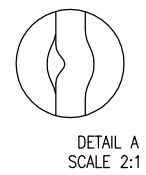


RoHS

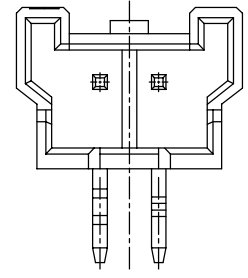
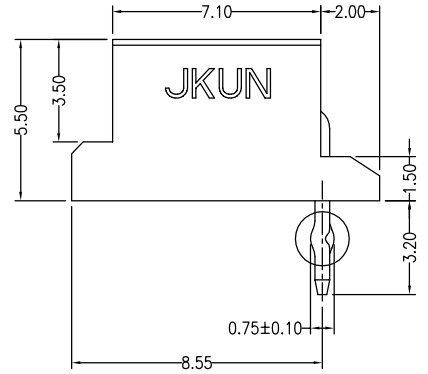
REV	DESCRIPTION	DESIGN	DATE
B	UPDATE DRAWING	S.H.Huang	2025.4.26
C	Update Electrical performance	S.H.Huang	2025.7.10



PCB Layout



4-15P SHAPE



2-3P SHAPE

With Ktype A or B

CKT	K TYPE	PIN No.								
		1	2	3	4	5	6	N-2	N-1	N
≥6PIN	-	A	B	-	-	-	B	A	-	-
5PIN	A	B	-	B	A	-	-	-	-	-
4PIN	A	B	B	A	-	-	-	-	-	-
3PIN	A	B	A	-	-	-	-	-	-	-
2PIN	A	B	-	-	-	-	-	-	-	-

CKT	DIM A	DIM B	DIM C	CKT	DIM A	DIM B	DIM C
2	2.00	6.70	7.70	9	16.00	19.30	20.30
3	4.00	8.70	9.70	10	18.00	21.30	22.30
4	6.00	9.30	10.30	11	20.00	23.30	24.30
5	8.00	11.30	12.30	12	22.00	25.30	26.30
6	10.00	13.30	14.30	13	24.00	27.30	28.30
7	12.00	15.30	16.30	14	26.00	29.30	30.30
8	14.00	17.30	18.30	15	28.00	31.30	32.30

Order Information:

QA2007AWD-\*\*-D1CA2-P  
 Part No. \_\_\_\_\_  
 No. OF Circuits: 02~15  
 Plastic Material: D1C:PA9T UL94V-0  
 PLATING: \_\_\_\_\_  
 A:Bright Tin  
 Metal code: \_\_\_\_\_  
 2:Brass  
 Packaging: \_\_\_\_\_  
 P:PE Bag

Specifications:

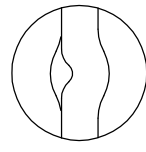
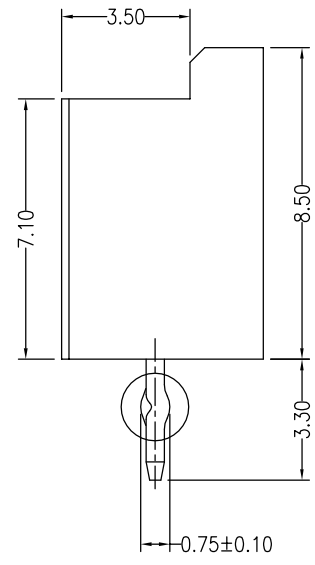
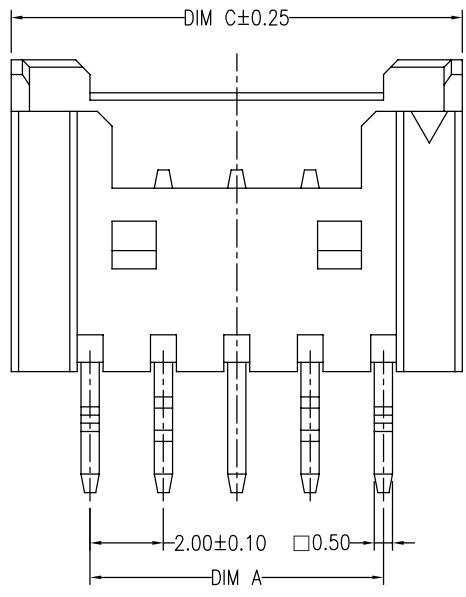
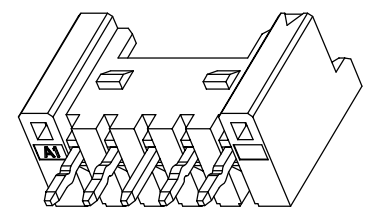
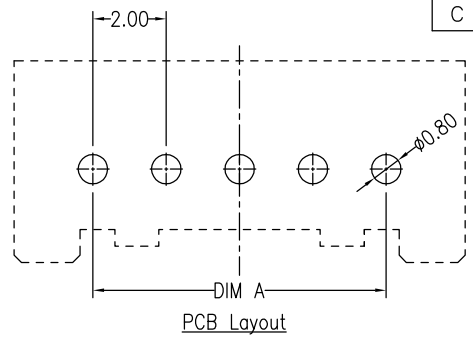
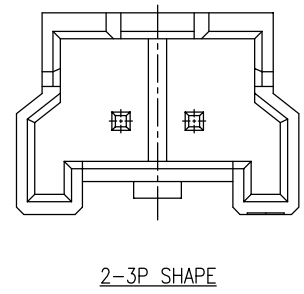
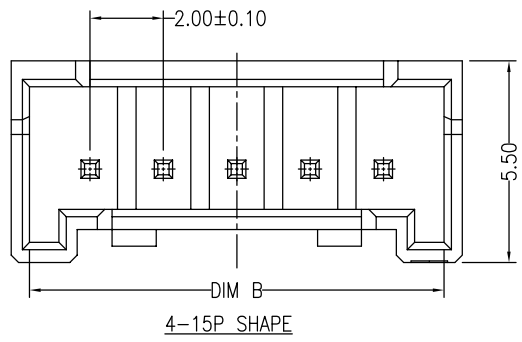
Contact resistance: ≤25mΩ  
 Insulation resistance: ≥100MΩ  
 Rated voltage: 125V AC/DC  
 Rated current: 2A AC/DC  
 Withstand Voltage: 1000V AC/minute  
 Temperature Range: -40°C~+105°C

**JKUN** 温州健坤接插件有限公司  
 WENZHOU JKUN CONNECTOR CO.,LTD.

GENERAL TOLERANCE		USE:	TITLE:
X.X ±0.30	X. ±5'	CUSTOMER	Pitch.2.0 WTB CONN 90° DIP TYPE
X.XX ±0.20	X.X ±2'	APPD: J.J.Yao	PART NO.: QA2007AWD-**-D1CA2-P
X.XXX ±0.10	X.XX ±1'	CHKD: X.F.Yan	DWG NO.: JKUN-GCKH-1717
		DR: S.H.Huang	SCALE: 5 : 1
UNITS: mm			SHEET: 1 / 1

RoHS

REV	DESCRIPTION	DESIGN	DATE
B	UPDATE DRAWING	S.H.Huang	2025.4.26
C	Update Electrical performance	S.H.Huang	2025.7.10



DETAIL A  
SCALE 2:1

With K-type A or B

PIN No. CKT K TYPE	1	2	3	4	5	6	N-2	N-1	N
	≥6PIN	-	A	B	-	-	-	B	A
5PIN	A	B	-	B	A	-	-	-	-
4PIN	A	B	B	A	-	-	-	-	-
3PIN	A	B	A	-	-	-	-	-	-
2PIN	A	B	-	-	-	-	-	-	-

CKT	DIM A	DIM B	DIM C	CKT	DIM A	DIM B	DIM C
2	2.00	6.70	7.70	9	16.00	19.30	20.30
3	4.00	8.70	9.70	10	18.00	21.30	22.30
4	6.00	9.30	10.30	11	20.00	23.30	24.30
5	8.00	11.30	12.30	12	22.00	25.30	26.30
6	10.00	13.30	14.30	13	24.00	27.30	28.30
7	12.00	15.30	16.30	14	26.00	29.30	30.30
8	14.00	17.30	18.30	15	28.00	31.30	32.30

Order Information:

QA2007A-\*\*-D1CA2-P  
 Part No. \_\_\_\_\_  
 No.OF Circuits: \_\_\_\_\_  
 02~15  
 Plastic Material: \_\_\_\_\_  
 D1C:PA9T UL94V-0  
 PLATING: \_\_\_\_\_  
 A:Bright Tin  
 Metal code: \_\_\_\_\_  
 2:Brass  
 Packaging: \_\_\_\_\_  
 P:PE Bag

Specifications:  
 Contact resistance:≤25mΩ  
 Insulation resistance:≥100MΩ  
 Rated voltage:125V AC/DC  
 Rated current:2A AC/DC  
 Withstand Voltage:1000V AC/minute  
 Temperature Range:-40°C~+105°C

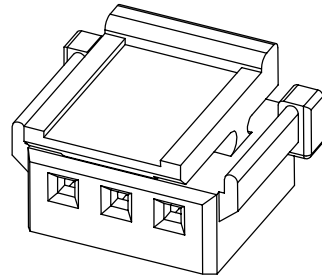
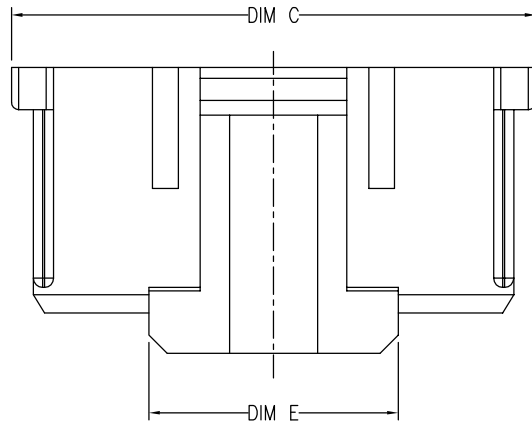
**JKUN** 温州健坤接插件有限公司  
 WENZHOU JKUN CONNECTOR CO.,LTD.

TITLE: Pitch2.0 WTB CONN 180° DIP TYPE

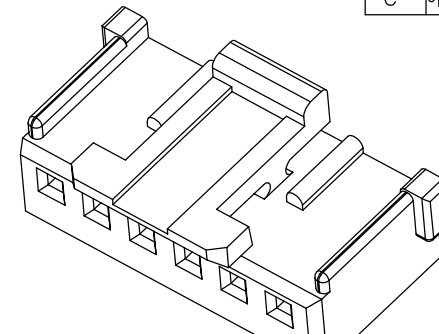
GENERAL TOLERANCE	USE:	CUSTOMER	PART NO.:
X.X ±0.30 X. ±5'	APPD:		QA2007A-**-D1CA2-P
X.XX ±0.20 X.X ±2'	CHKD:		DWG NO.:
X.XXX ±0.10 X.XX ±1'	DR:	S.H.Huang	JKUN-GCKH-1716
UNITS: mm			SCALE: 5 : 1 SHEET: 1 / 1

RoHS&HF

REV	DESCRIPTION	DESIGN	DATE
B	UPDATE DRAWING	S.H.Huang	2025.04.17
C	Update Electrical performance	S.H.Huang	2025.07.10



2~3P SHAPE

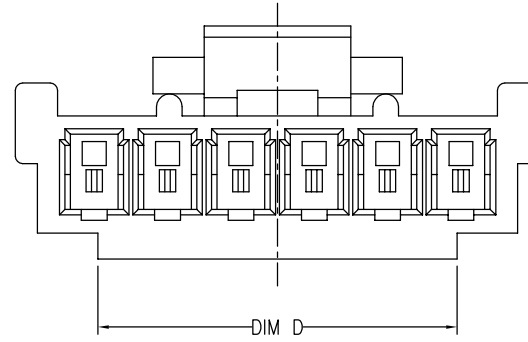
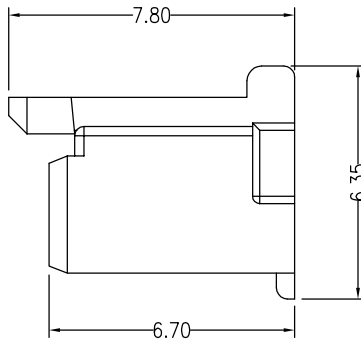
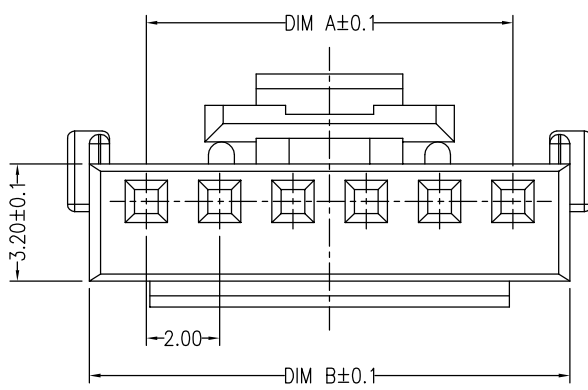


4~15P SHAPE

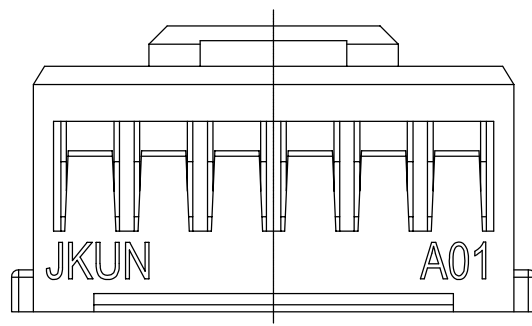
Specifications:  
 Contact resistance:  $\leq 25m\Omega$   
 Insulation resistance:  $\geq 100M\Omega$   
 Rated voltage: 125V AC/DC  
 Rated current: 2A AC/DC  
 Withstand Voltage: 1000V AC/minute  
 Temperature Range:  $-40^{\circ}C \sim +105^{\circ}C$

Order Information:

Part No. QA2007Y-\*\*-A7W-P  
 No.OF Circuits: 02~15  
 Plastic Material: A7W:PA66 UL94V-0  
 Packaging: P:PE Bag



CKT	DIM A	DIM B	DIM C	DIM D	DIM E
2	2.00	5.10	7.30	1.80	3.90
3	4.00	7.10	9.30	3.80	5.90
4	6.00	9.10	10.30	5.80	6.00
5	8.00	11.10	12.30	7.80	
6	10.00	13.10	14.30	9.80	6.80
7	12.00	15.10	16.30	11.80	
8	14.00	17.10	18.30	13.80	
9	16.00	19.10	20.30	15.80	
10	18.00	21.10	22.30	17.80	
11	20.00	23.10	24.30	19.80	10.80
12	22.00	25.10	26.30	21.80	
13	24.00	27.10	28.30	23.80	
14	26.00	29.10	30.30	25.80	
15	28.00	31.10	32.30	27.80	



**JKUN** 温州健坤接插件有限公司  
 WENZHOU JKUN CONNECTOR CO.,LTD.

GENERAL TOLERANCE		USE:
X.X ±0.30	X. ±5°	CUSTOMER
X.XX ±0.20	X.X ±2°	APPD: C.Y.Zhu
X.XXX ±0.10	X.XX ±1°	CHKD: X.F.Yan
UNITS: mm		DR: S.H.Huang

TITLE: Pitch2.0 FEMALE CONN.

PART NO.: QA2007Y-**-A7W-P	
DWG NO.: JKUN-GCKH-1718	
SCALE: 5 : 1	SHEET: 1 / 1